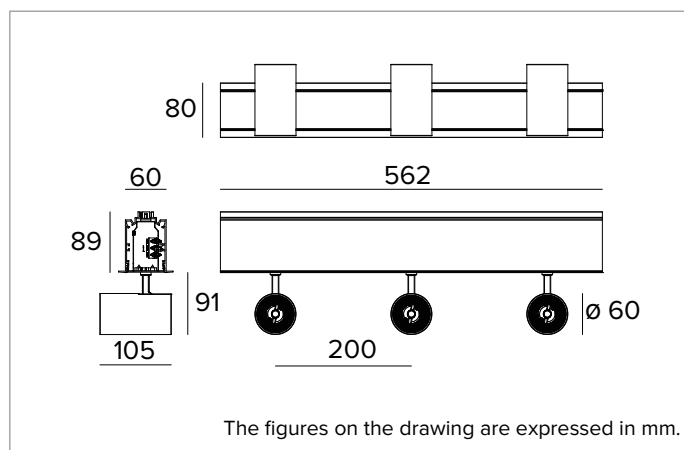


1T7269EL | LOGICO System - Recessed with flange - Projector module

Linear module with adjustable professional LED projectors for recessed installation system with a flange



		3000K	H(m)	D(m)	E _{max} (lx)
		Ra90		16°	
Fixture Power	15W	1	0.28	10885	
Source Flux	1817lm	2	0.55	2721	
Fixture Flux	1334lm	3	0.83	1209	
Efficacy	88lm/W	4	1.11	680	
TS1168	I _{max} =5990cd/klm	I _{max}	10885cd	5	1.39
					435



SOURCE

High efficiency Chip on Board LED Ra90.

Energy efficiency class: D

Nominal power: 3x14W

Nominal flux: 3x1817lm

Colour rendering index: 90

Rf: 92

Rg: 101

CCT nominal: 3000K

Lifetime (L80/B10): >50000h tq +25°C

ILLUMINOTECHNICAL CHARACTERISTICS

Convex faceted highly reflective anodised aluminium precision optics with an opaque black silicone cut off ring.

Beam angles: SP

Optical efficiency: 73%

Fixture flux: 3x1334lm

Luminous efficacy: 88lm/W

Photobiological safety: Compliant with RG1 low risk group

MECHANICAL CHARACTERISTICS

Painted extruded aluminium linear body. Projectors with a die-cast painted aluminium body. The optical unit can be adjusted from 0° a 90° on the vertical plane and 355° on the horizontal plane with the possibility to block the beam with a mechanical locking system on the horizontal plane and a friction locking system on the vertical plane.

Colour and finish: Plaster white

Dimensions: L=562mm

Weight: 4.3Kg

Version: 3xLABEL 6

Degree of protection: IP20

ELECTRICAL CHARACTERISTICS

Integrated electronic ON-OFF power supply. Complete with electrical cables to guarantee feeding continuity (max 2kW).

Fixture Power: 3x15W

Power supply: 220-240Vac 50/60Hz

Insulation Class: CLASS 1

Type of driver / Control: ON-OFF

Driver included: YES

Class F: YES

SAFE FLICKER: PstLM=<1 and SVM=<0.4 (IEC TR 61547-1 and IEC TR 63158), to ensure a more comfortable and safe light

Ambient temperature: 0°C / +25°C

INSTALLATION

For linear configurations complete with a special connector to attach to the power supply. To be completed with end caps.

NOTES

The arm is always supplied in the same colour as the body of the projector. 110-277Vac version available on request.

WARRANTY

5 years.

WARNING

Luminaire designed for disposal/recycling at end-of-life. Replaceable (LED only) light source by a professional. Replaceable control gear by a professional.

Due to the technological evolution of the electronic components, the data provided may be updated, and as such, confirmation must be requested during the order process.

Luminous flux and power supply have +/-10% tolerances with respect to the indicated value. tq +25°C (CIE 121).

We reserve the right to make technical changes.

Targetti Sankey S.r.l.
Via Pratese, 164
50145 Firenze - Italy
Tel: +39 055 37911
targetti.com
targetti@targetti.com

CCIAA Firenze
Share Capital:
€ 500.000,00
VAT N. (IT):
01537660480
R.E.A: FI-275656

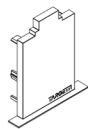
TARGETTI

1T7269EL | LOGICO System - Recessed with flange - Projector module

Linear module with adjustable professional LED projectors for recessed installation system with a flange

Related codes

End Caps



Code

1T5908

End caps for the recessed version with a flange.

White.

2x

Accessories

Electrical Connector



Code

1T5911

Linear electrical connector.

EL/DALI.

Due to the technological evolution of the electronic components, the data provided may be updated, and as such, confirmation must be requested during the order process.

Luminous flux and power supply have +/-10% tolerances with respect to the indicated value. tq +25°C (CIE 121).

We reserve the right to make technical changes.

Targetti Sankey S.r.l.
Via Pratese, 164
50145 Firenze - Italy
Tel: +39 055 37911
targetti.com
targetti@targetti.com

CCIAA Firenze
Share Capital:
€ 500.000,00
VAT N. (IT):
01537660480
R.E.A: FI-275656

TARGETTI